



Reliable Hand Labelling Systems

SAMARK

Strong and durable casing

- Ability to withstand all types of labelling conditions

Smooth continuous operation

- Labels travel easily without jamming

Standard printband layouts

- Choose from a selection of layouts

Special security cut labels

- Tamper proof labels prevent prices from being swapped

Precise printout

- High clarity print characters

Wide variety of label materials

- For various purposes and impact

The **Samark 26** is an excellent cost performance labeller, offering a compact, reliable solution. This hand labeller dispenses the highly popular wavy label.

Manufactured for robustness and durability, the **Samark 26** is ideal for both small and high volume applications.

Along with lightweight design, the Samark 26 fits in your hand comfortably, making it easy to use for extended periods.

RETAIL STORE &
SUPERMARKET

FOOD PROCESSING
INDUSTRY

MANUFACTURING
INDUSTRY

Samark 26

WHITE WINE
£17.00

USE BY
31.12.15

LOT No.
H50932

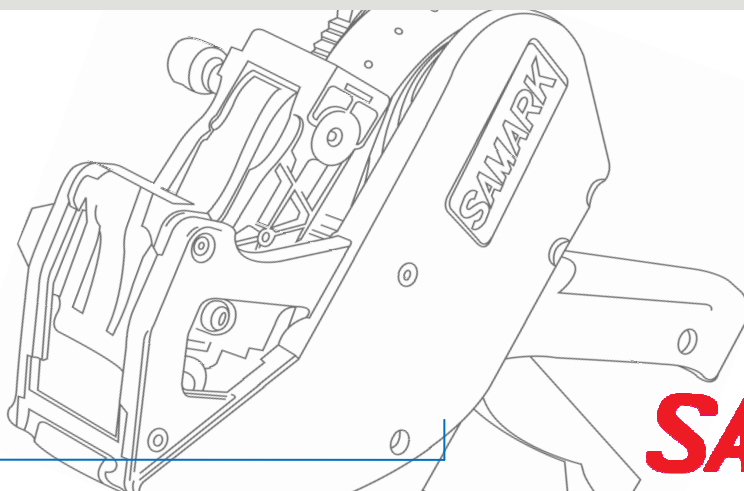
MAY'S FLORIST
£14.99

Prepared On
30.11.15

SKU
22554825

Applications

Retail Store & Supermarket	Price marking , Promotional labelling
Food Processing Industries	Food control, Best Before dates, Use By, Prepared on
Manufacturing Industries	Lot No., Product Code, Inspection/Quality control, Inventory control



SAMARK

General Specifications

Model	Samark 26
Bands Per Head	6, 8
Font Height	3.0 ~ 5.0mm (0.12" ~ 0.20)
Label Size	W 26mm x P 12mm (W 1.02" x P 0.47")
Label Shape Supported	Wavy
No. of Labels Per Roll	1,500 pieces per roll
Labeller Size	W 62 x D 226 X H 135mm (W 2.5" x D 8.9" x H 5.3")
Labeller Weight	270g
Label Types	Plain or pre-printed with logos and information, multi-colours and shapes
Label Adhesives	Permanent, Freeze, Peel, Wash-Off, Outdoor
Label Design	SATO UK's In-House Studio Services

SATO UK manufactures a complete product range of hand labellers, labels and tags, barcode printers, scanning systems and accessories.

Our authorised partner will be pleased to provide expert advice to meet your needs.

Please Contact:



RESELLER LABEL HERE